

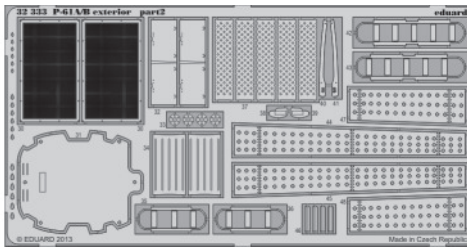
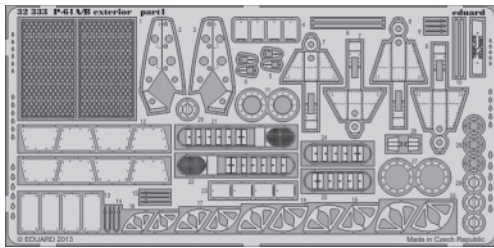


P-61A/B exterior

eduard

32 333

1/32 scale detail set for Hobby Boss kit • sada detailů pro model 1/32 Hobby Boss



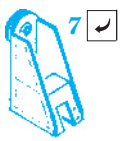
- ★ APPLY EXPRESS MASK AND PAINT BEFORE GLUING
POUŽIT EXPRESS MASK NABARVIT PŘED SLEPENÍM
- ☉ SYMMETRICAL ASSEMBLY
SYMETRICKÁ MONTÁŽ
- REMOVE
ODSTRANIT
- ▨ GRIND
OBROUSIT
- ⊘ DRILL HOLE
VRTAT OTVOR
- 1 COLORED ETCHED PARTS
LEPTANÉ BAREVNÉ DÍLY
- ↪ BEND
OHNOUT
- ? OPTION
VOLBA
- Ⓜ REPLACE
NAHRADIT

ORIGINAL KIT PARTS
PŮVODNÍ DÍLY STAVEBNICE

PHOTO-ETCHED PARTS
LEPTANÉ DÍLY

PARTS TO BE REMOVED
DÍLY K ODSTRANĚNÍ

FILL
TMELIT



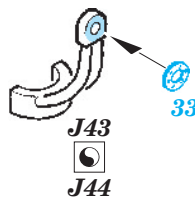
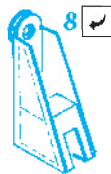
W5, W33
W25, W34



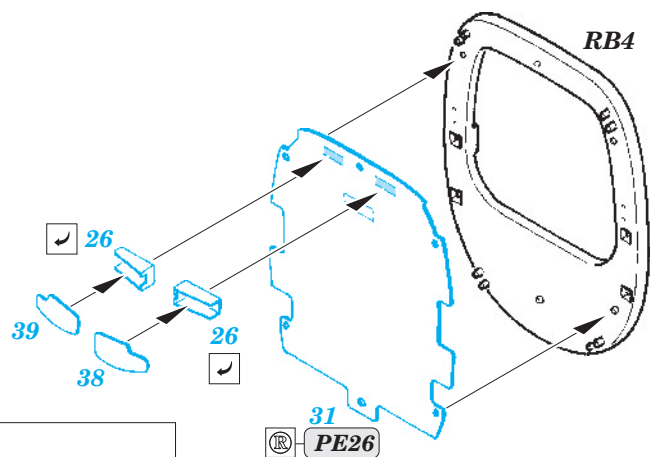
W5, W33
W25, W34

8

W29



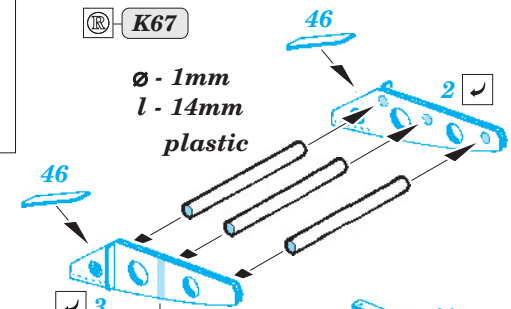
J43
J44



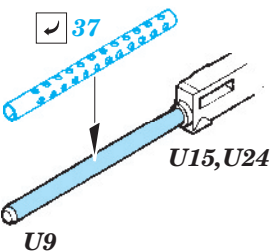
PE26

K67

∅ - 1mm
l - 14mm
plastic



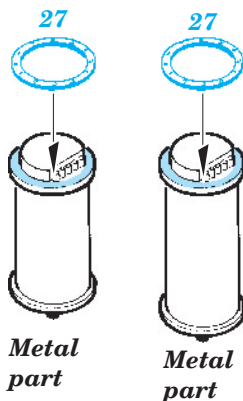
4 pcs.



37

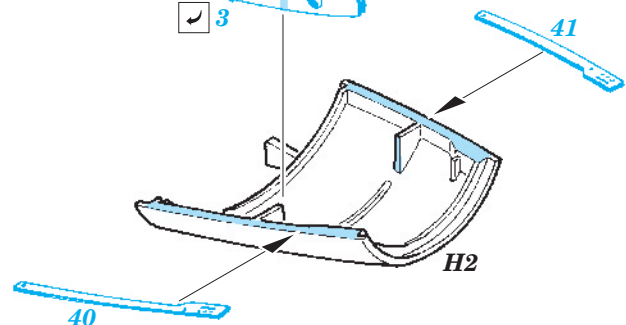
U9

U15, U24



Metal part

Metal part



40

H2

For further detail sets look for **eduard** 32 769 P-61A/B interior S.A.
(not included in this set)

For further detail sets look for **eduard** 32 334 P-61A/B undercarriage
(not included in this set)

For further detail sets look for **eduard** 32 341 P-61A/B engine
(not included in this set)

