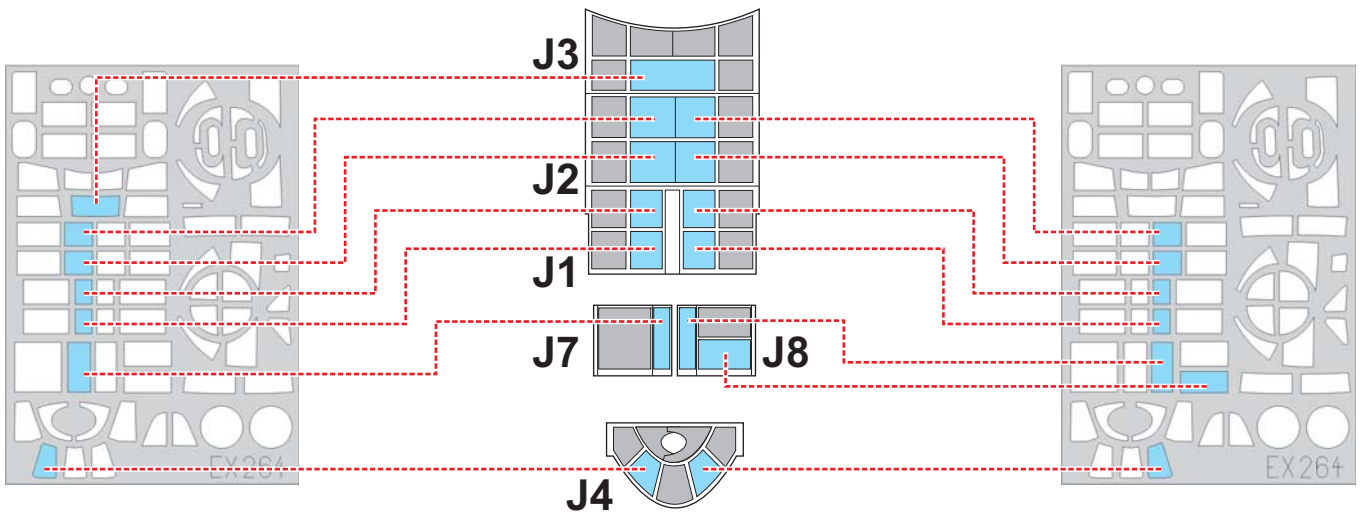
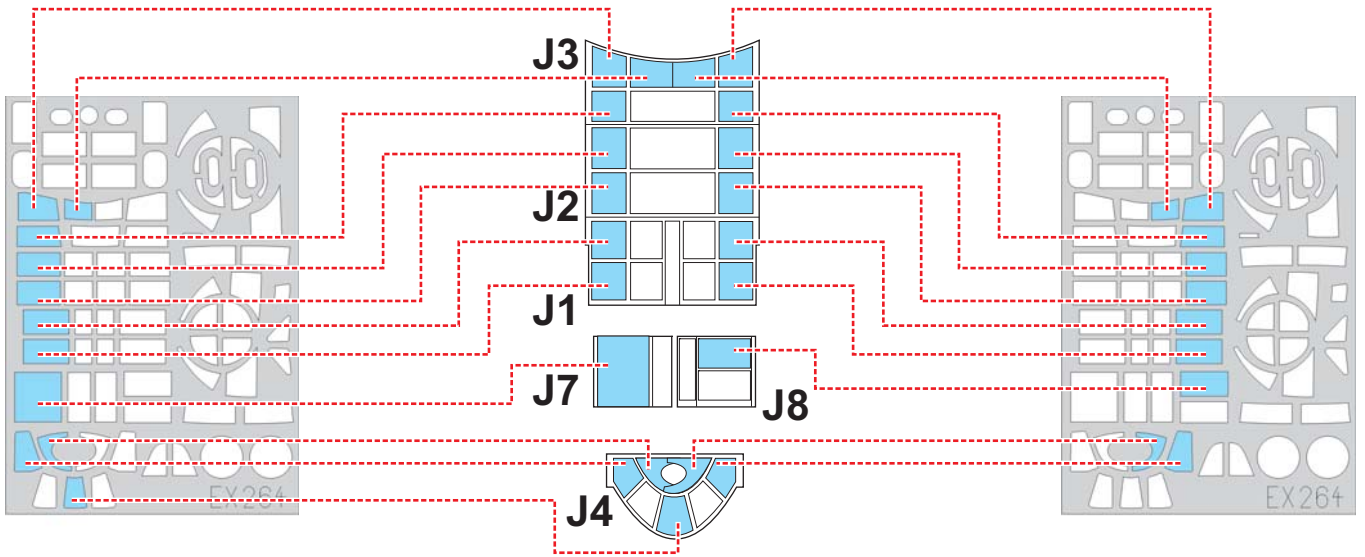
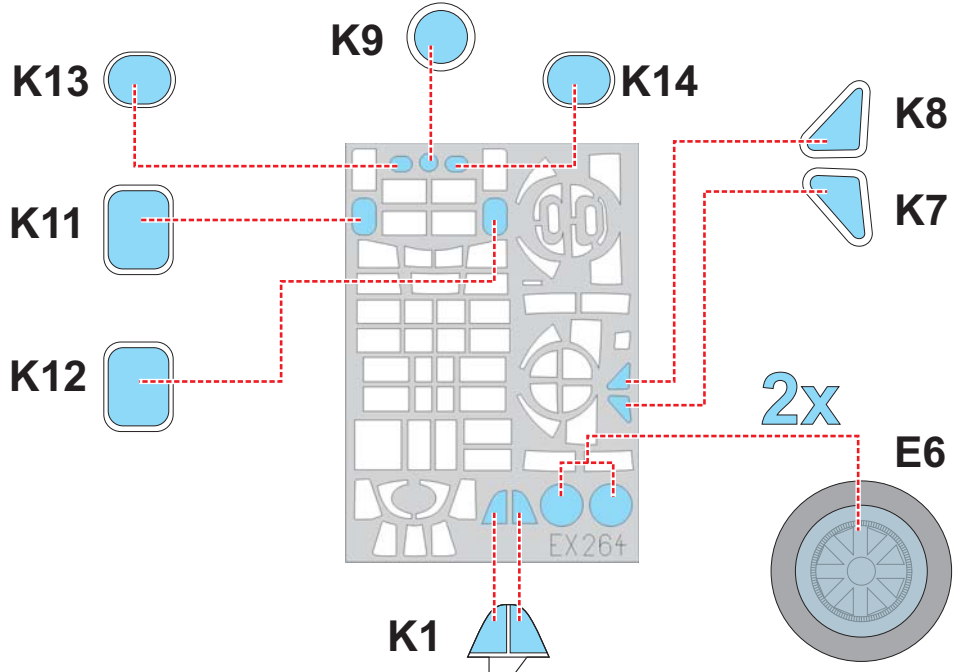
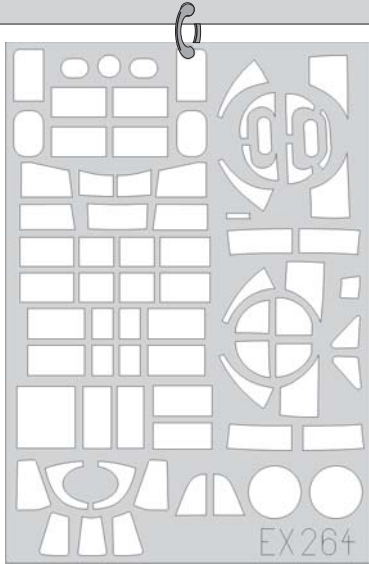


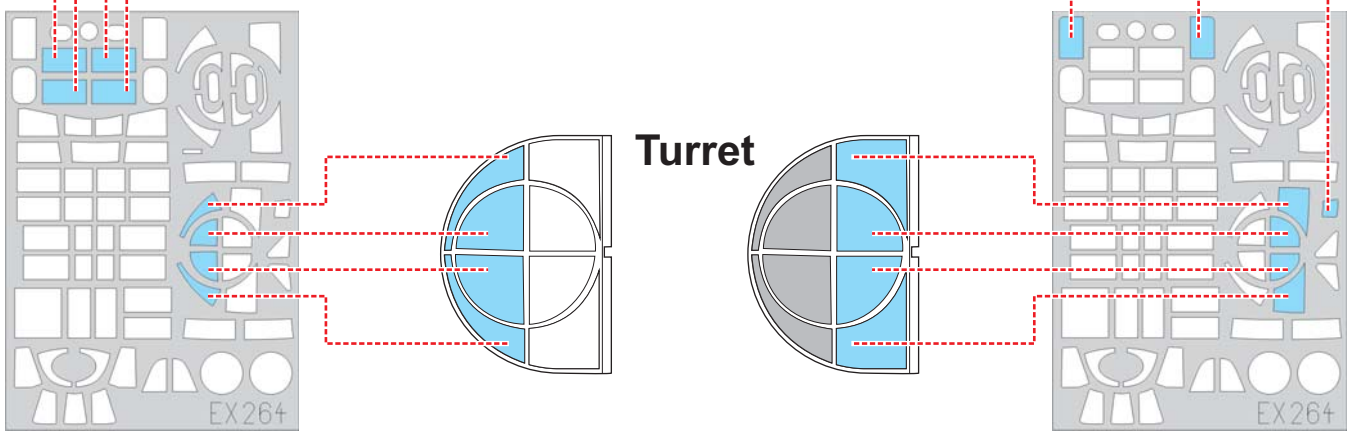
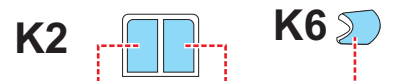
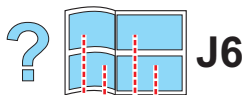
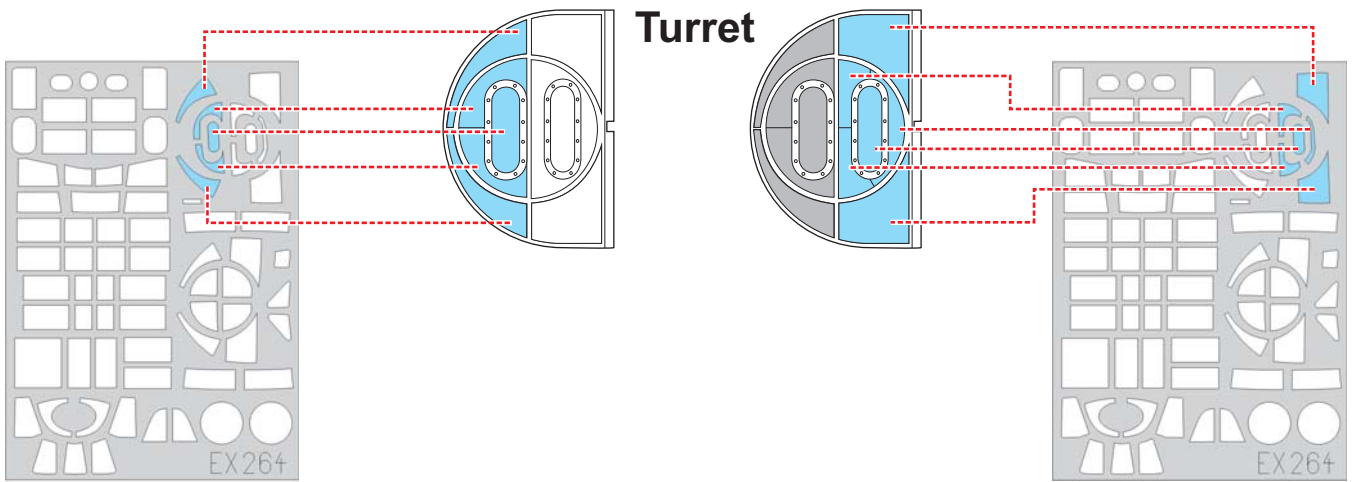
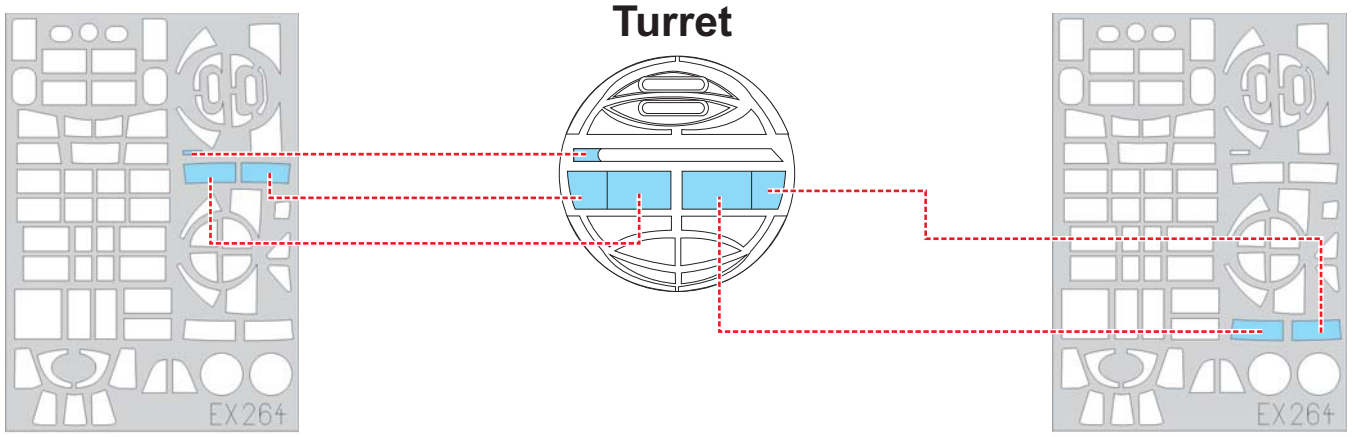
eduard
MASK

EX 264

TBM-3 1/48

The die-cut mask for accurate canopy frame painting of the
Hobby Boss scale 1/48 KIT





J4

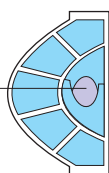
J7

J1

J2

J3

LIQUID MASK



J8

